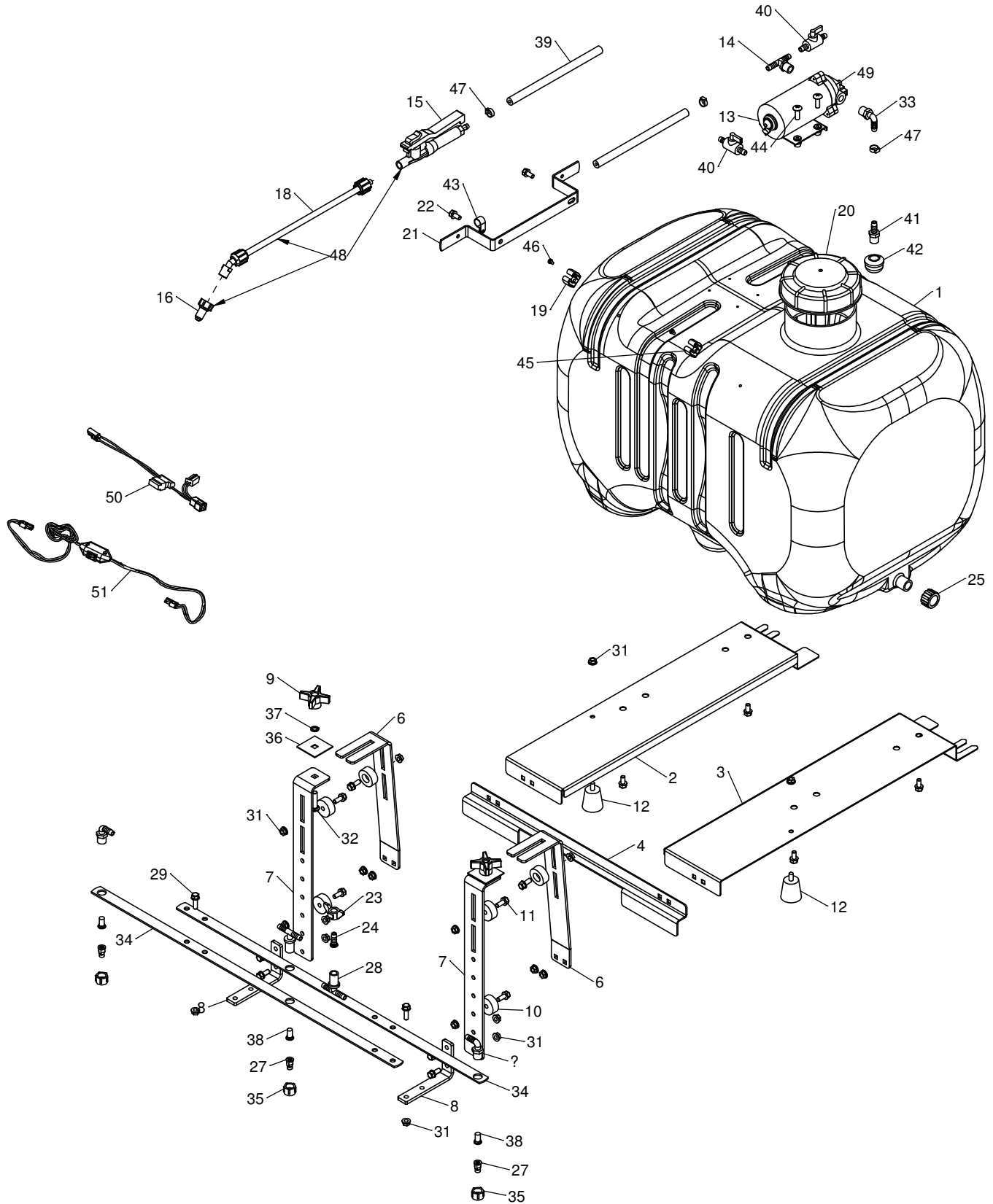


45 & 25 Gallon - 550 Gator Sprayer

| PIN Prefixes: | Model Number | Description | PIN Prefix |
|---------------|--------------|--|------------|
| | LP39964 | 45 Gal. Standard Delux Cargo Box Sprayer | |
| | LP39965 | 25 Gal. Standard Delux Cargo Box Sprayer | |



| ITEM # | DESCRIPTION | PART # | QTY. |
|--------|---------------------------|---------|------|
| 1 | Tank 45 Gallon | ST43573 | 1 |
| 1 | Tank 25 Gallon | ST43507 | 1 |
| 2 | Support LH | ST43642 | 1 |
| 3 | Support RH | ST43643 | 1 |
| 4 | Gator Endgate Brace | ST43645 | 1 |
| 6 | Gator Boom Support | ST43554 | 2 |
| 7 | Gator Boom Support | ST43555 | 2 |
| 8 | Boom Support Extension | ST43557 | 2 |
| 9 | 3/8 Plastic Knob | ST43289 | 2 |
| 10 | Rubber Bumper | ST43176 | 6 |
| 11 | 5/16 x 3/4 Flange Bolt | ST65007 | 10 |
| 12 | Rubber Foot | ST43578 | 2 |
| 13 | Pump 2.2 GPM 100 PSI | ST43918 | 1 |
| 14 | 3/8NPT x 3/8Barbed, TEE | ST43235 | 1 |
| 15 | Spraywand Valve | ST43124 | 1 |
| 16 | Spray Wand Brass Tip | ST43514 | 1 |
| 18 | Spray Wand Extension | ST43515 | 1 |
| 19 | Holder for Spray Wand | ST43287 | 1 |
| 20 | Tank Lid 6" | ST43175 | 1 |
| 21 | Hose Hanger | ST62006 | 1 |
| 22 | 5/16 x 5/8 Flange Bolt | ST65011 | 6 |
| 23 | Plastic Wing Nut | ST43498 | 1 |
| 24 | 3/8 Straight Barb Fitting | ST43499 | 1 |
| 25 | Drain Cap | ST43516 | 1 |
| 26 | 3/8" Elbow Fitting w/Nut | ST43011 | 2 |
| 27 | Spray Tip TF-VP3 | ST43410 | 3 |

| ITEM # | DESCRIPTION | PART # | QTY. |
|--------|-----------------------------------|---------|------|
| 28 | 3/8 Barbed Tee, w/ Nut | ST43192 | 2 |
| 29 | 5/16 x 1 Flange Bolt | ST65014 | 2 |
| 30 | 5/16 x 3/4 Carriage Bolt | ST65006 | 4 |
| 31 | 5/16 Flange Nut | ST65008 | 18 |
| 32 | 3/8 x 1-1/2 Carriage Bolt | ST65005 | 2 |
| 33 | 3/8NPT x 3/8 Barbed, Elbow | ST43183 | 1 |
| 34 | Gator Boom | ST43495 | 2 |
| 35 | Tip Fiting Cap Nut | ST43012 | 3 |
| 36 | Square Washer 2" | ST43506 | 2 |
| 37 | 3/8" Lock Washer | ST65004 | 2 |
| 38 | Spray Tip Screen | ST43016 | 3 |
| 39 | Hose, Black Rubber 3/8", Per Foot | ST43286 | 20 |
| 40 | 3/8 Barbed, In-line Valve | ST43014 | 2 |
| 41 | 3/8" Straight Barbed Fitting | ST43182 | 1 |
| 42 | Sump Strainer 3/8" | ST43258 | 1 |
| 43 | Hose Holder 3/8" | ST43191 | 1 |
| 44 | #10-24 x 1" Truss Head | ST65001 | 4 |
| 45 | Wand Clip, Small | ST43130 | 1 |
| 46 | #10-24 x 3/8" Truss Head | ST65000 | 2 |
| 47 | 3/8 Oetiker Clamp | ST43652 | 7 |
| 48 | Hand wand w/ Tip | ST43238 | 1 |
| 49 | Pump Head, Replacement | ST43921 | 1 |
| 50 | Gator Plug Harness | ST43754 | 1 |
| 51 | Wire Harness, Switch | ST43472 | 1 |
| - | Label, Caution (English) | ST43488 | 1 |
| - | Label, 45 Gallon | ST43523 | 1 |
| - | Label, 25 Gallon | ST43490 | 1 |
| - | Label, John Deere | ST43487 | 1 |